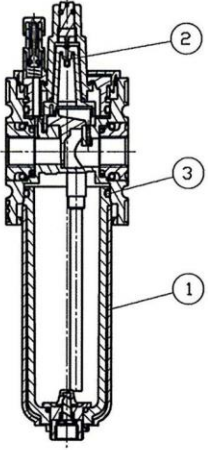
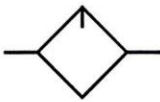


Kenngroßen	Typ	FU 903	FU 904
port size		G 3/8	G 1/2
description		lubricator with automatic oil filling	
medium		compressed air, neutral gases	
mounting		vertical	
medium- and ambient temperature		max. 50 °C	
supply pressure		Pe max. 16 bar	
bowl volume		oil quantity max. 80 cm <sup>3</sup>	
oil metering qv=1000/min		1 - 2 drops/min	
oil type		CL 32 DIN 51517 - ISO VG 32	
fixing		mounting bracket, wall mounting	
weight		0,285 kg	

**parts**

no.	designation	material	order-no.
1	bowl	polycarbonate	
2	dome assembly	polycarbonate	
3	o-ring 37,5 x 2,5	NBR	

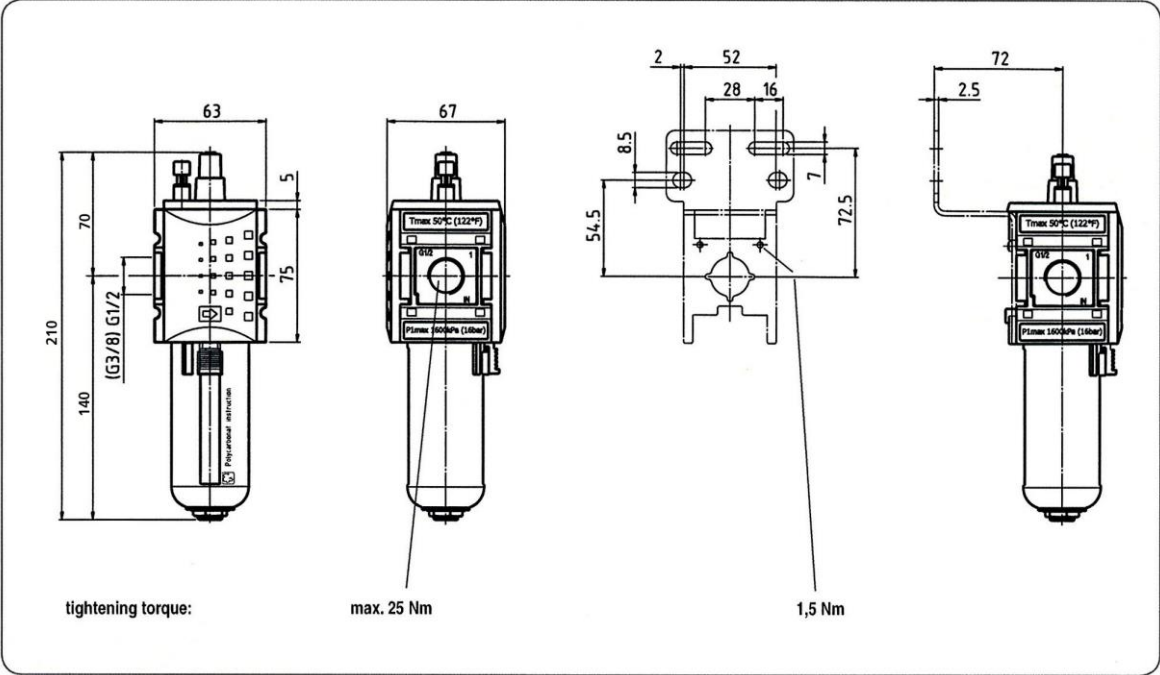


**series 2**

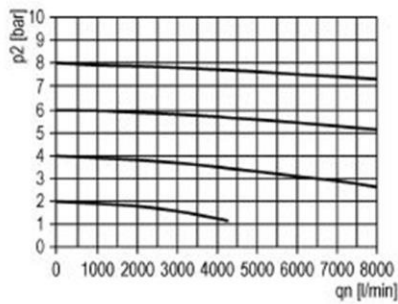
**application information**

- Can be filled with oil during operation
- Interlocking of several individual devices requires coupling kit(s)

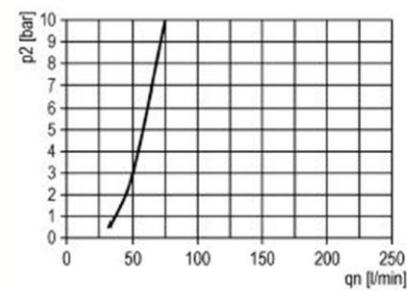
dimensions (mm)



pressure characteristic



lubricator operating limit



accessories 2

